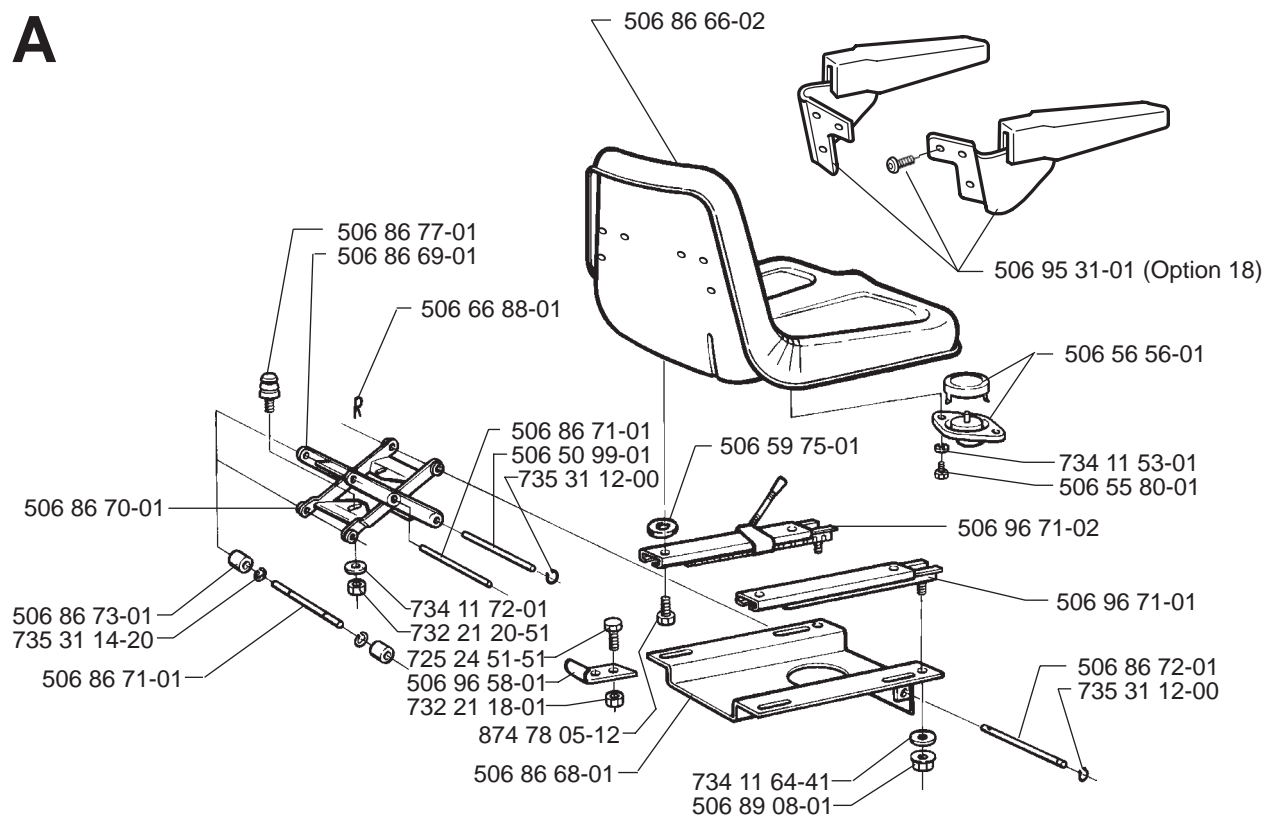


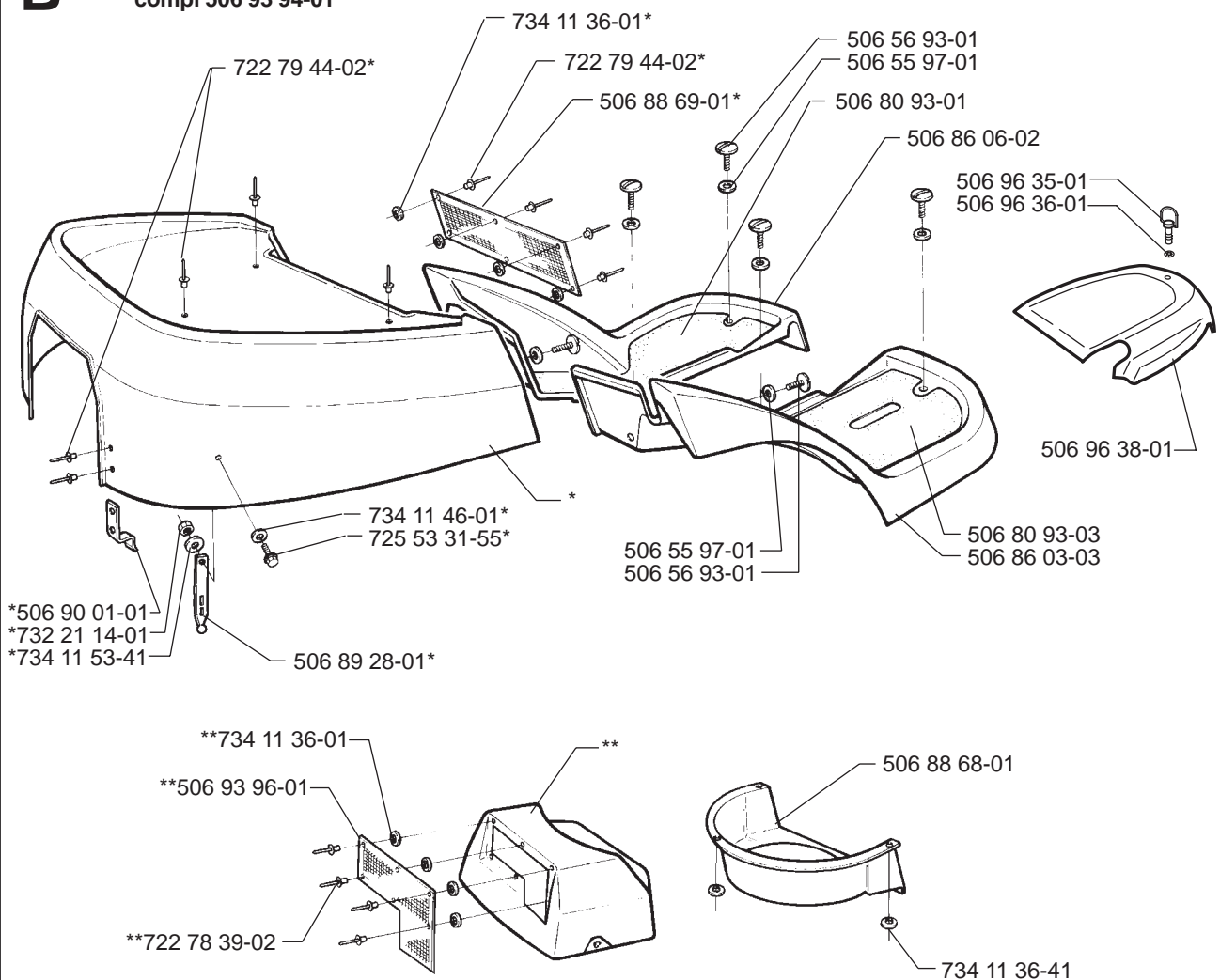
# Rider 18 ProFlex

# Rider 20 ProFlex

Spare parts  
Ersatzteile  
Pièces détachées  
Reserve onderdelen  
Repuestos  
Reservdelar

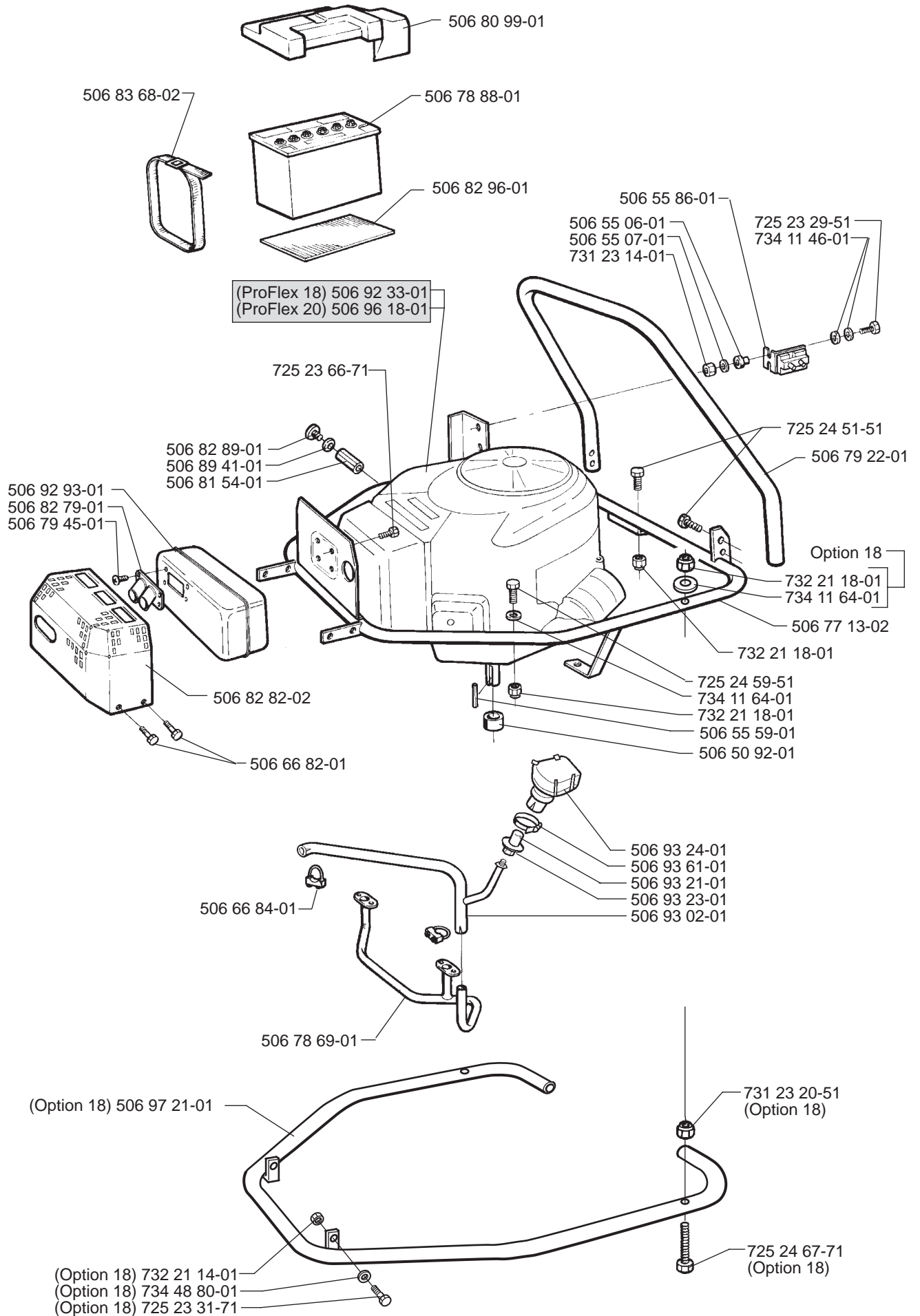
**A****B**

\*compl 506 88 67-01  
 \*\* compl 506 93 94-01



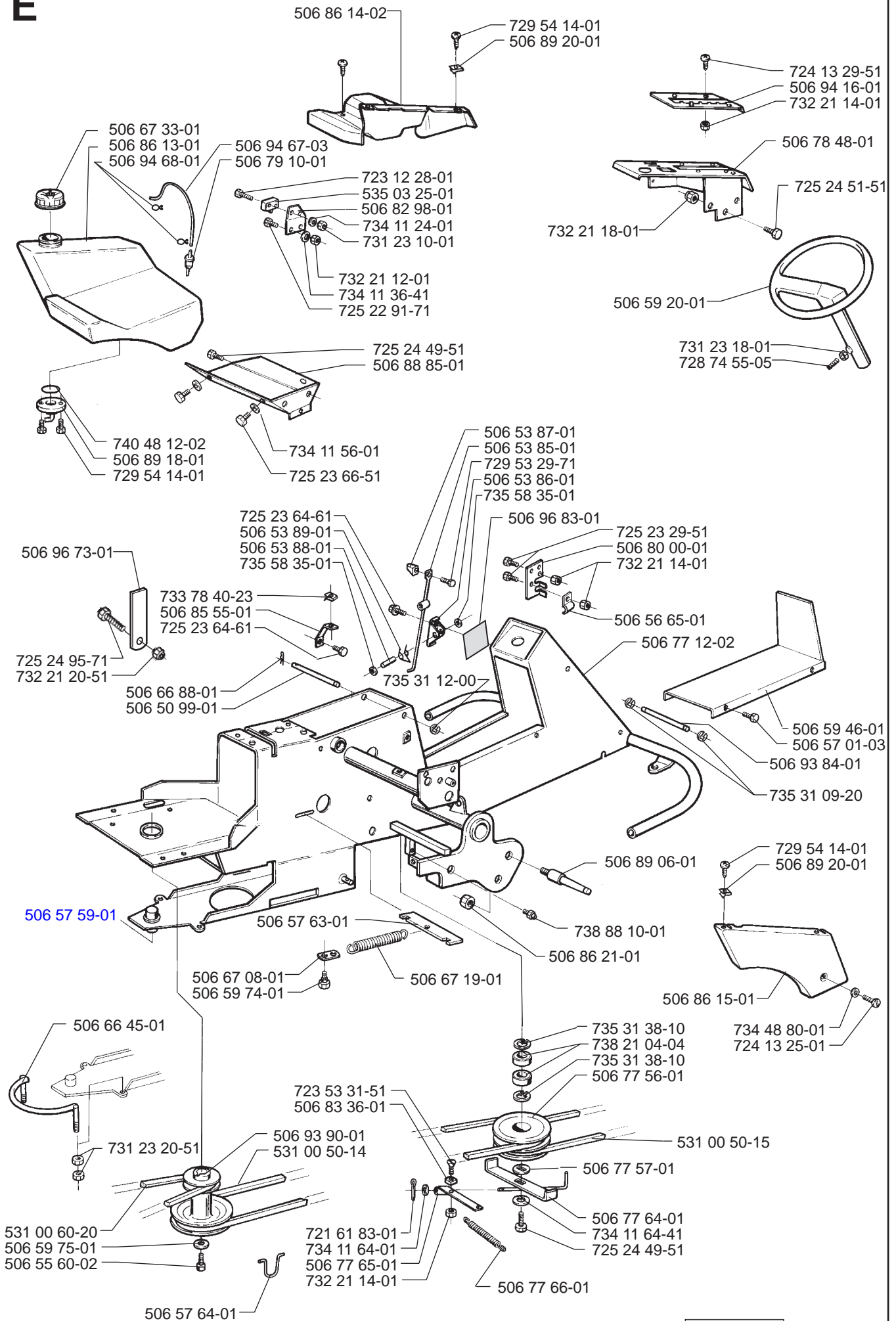
**xxx xx xx-xx** = New part

# D



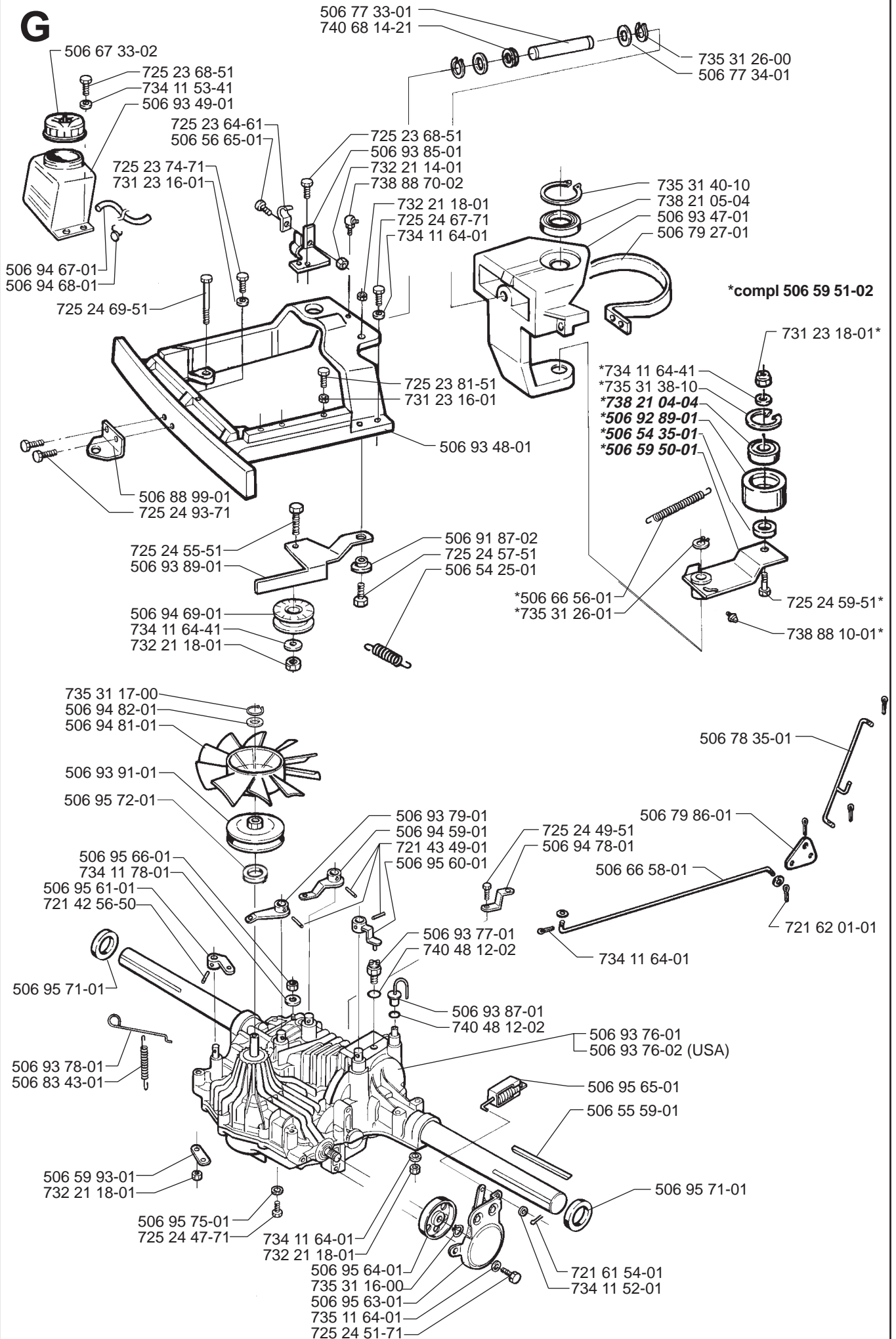
xxx xx xx-xx = New part

E



xxx xx xx-xx = New part

**G**

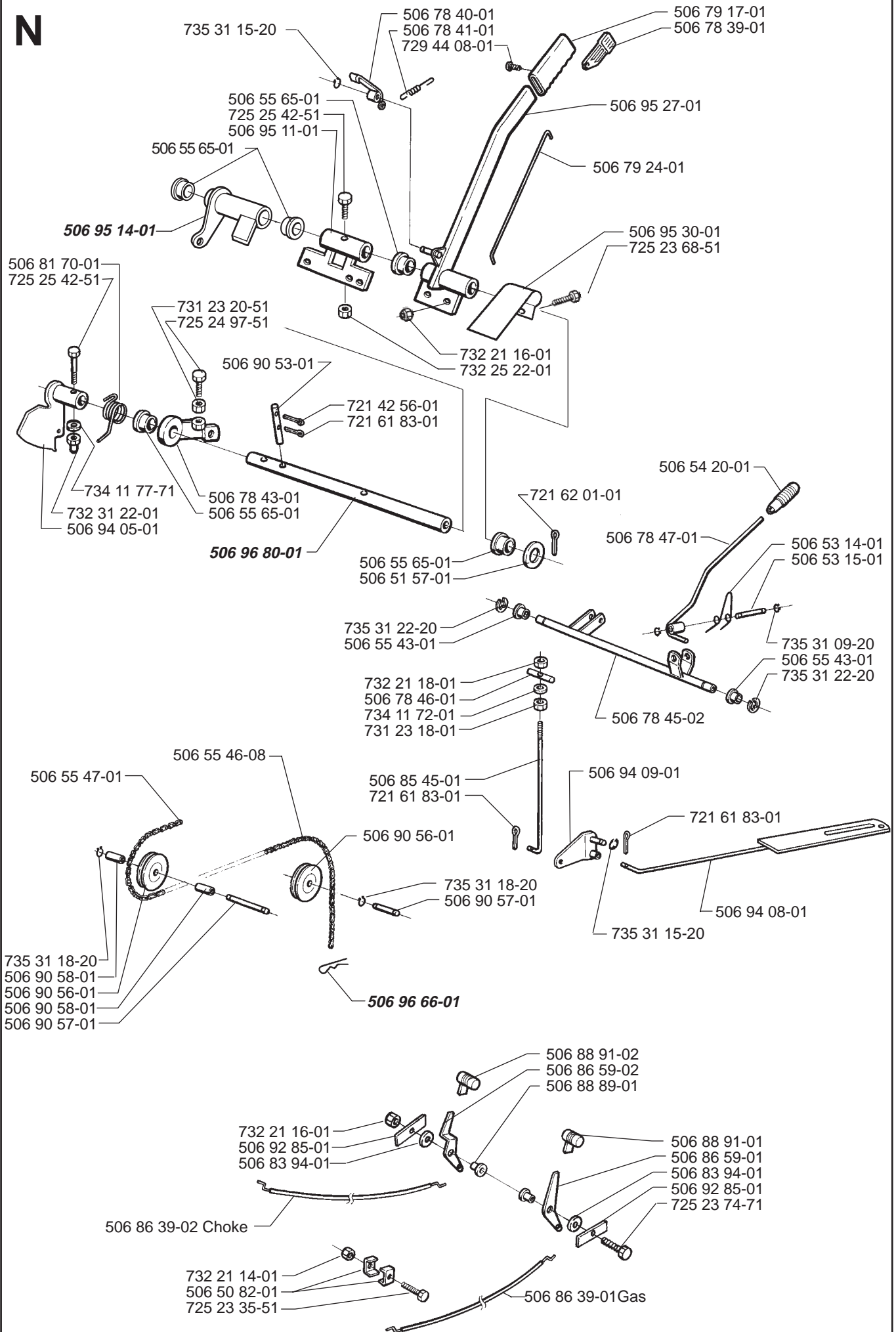


xxx xx xx-xx = New part, Neues teil, Nouvelle piece, Nueva pieza, Ny detalj





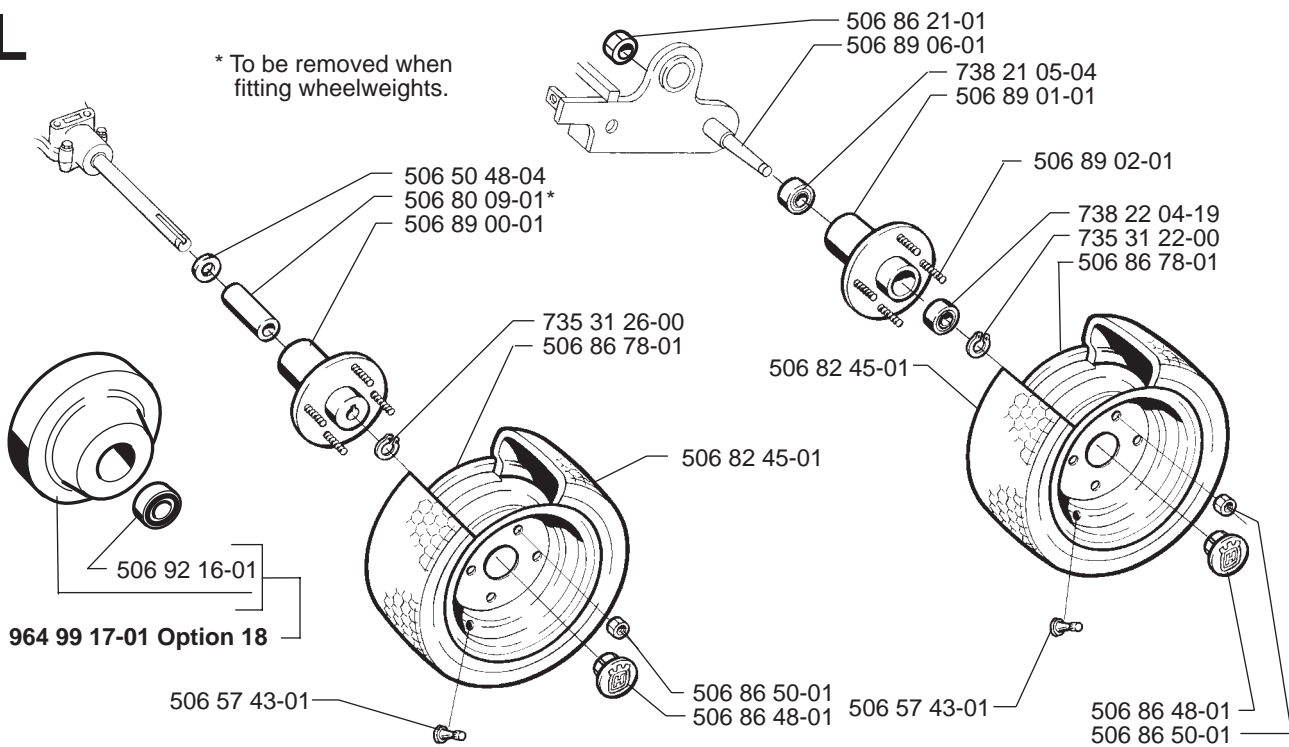
**N**



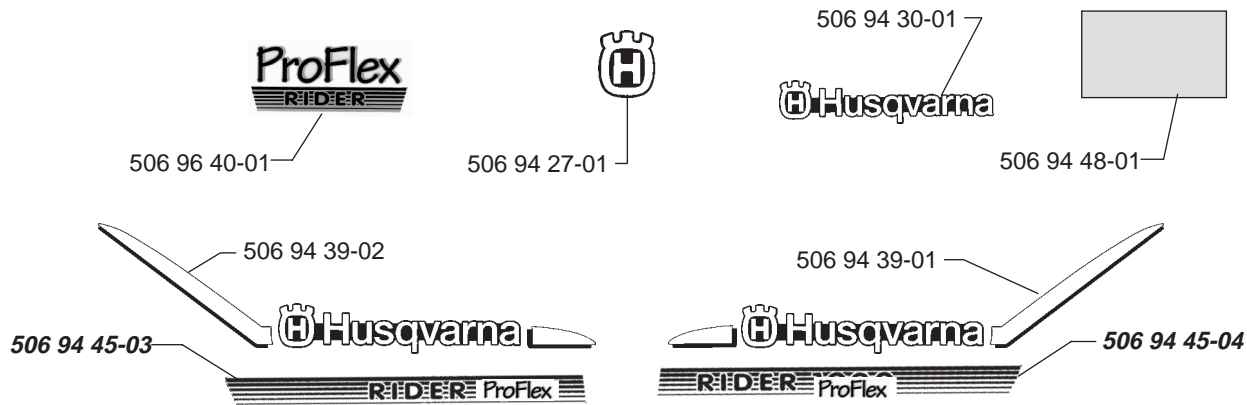
**xxx xx xx-xx** = New part, Neues teil, Nouvelle piece, Nueva pieza, Ny detalj

**L**

\* To be removed when fitting wheelweights.

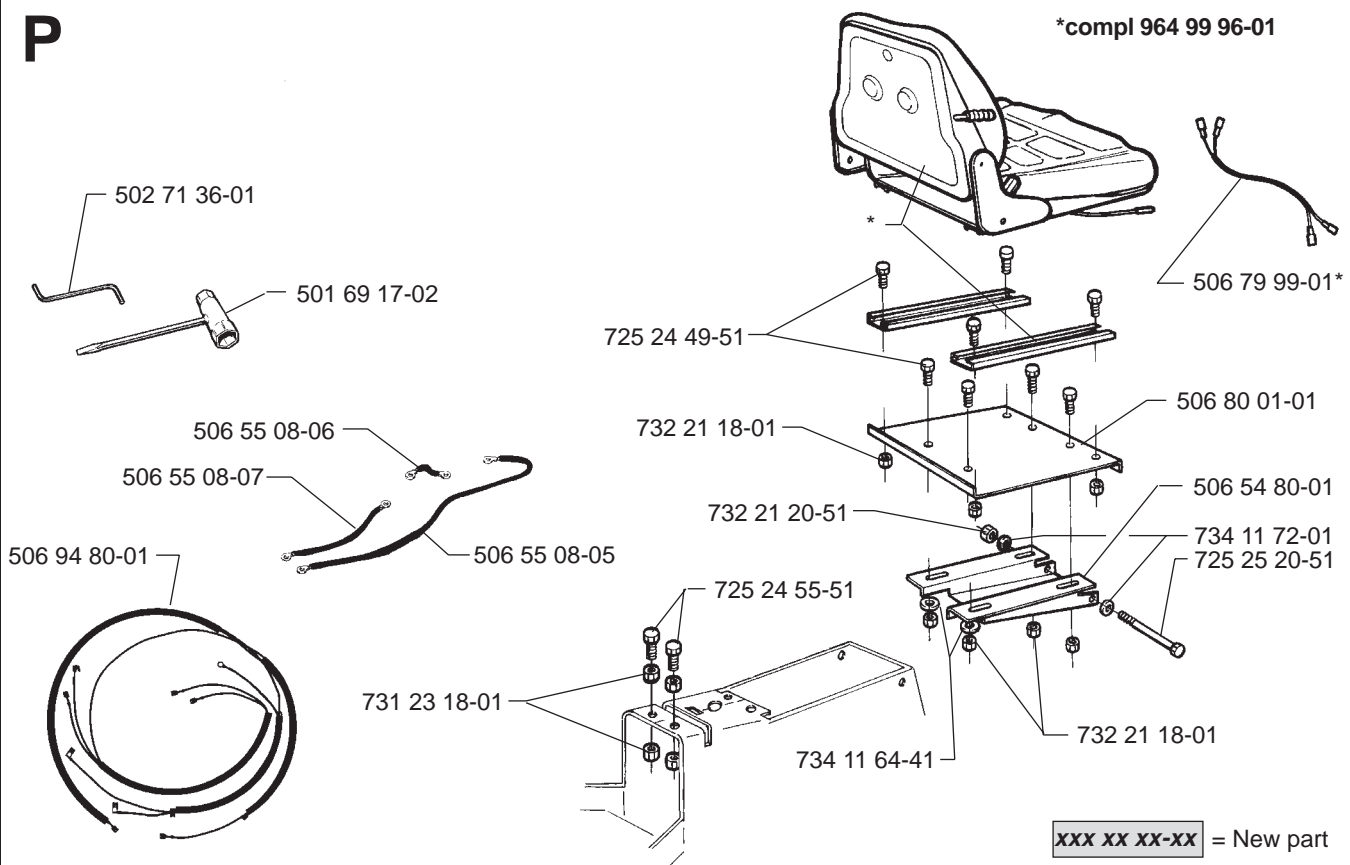


**M**



**P**

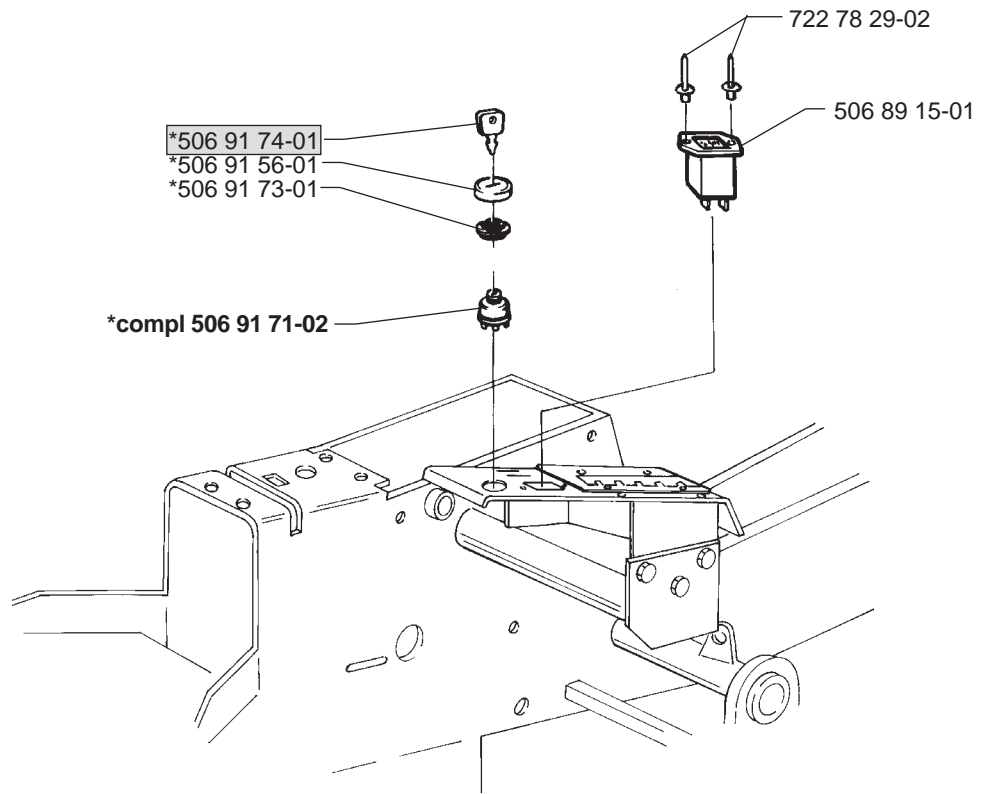
\*compl 964 99 96-01



XXX XX XX-XX = New part

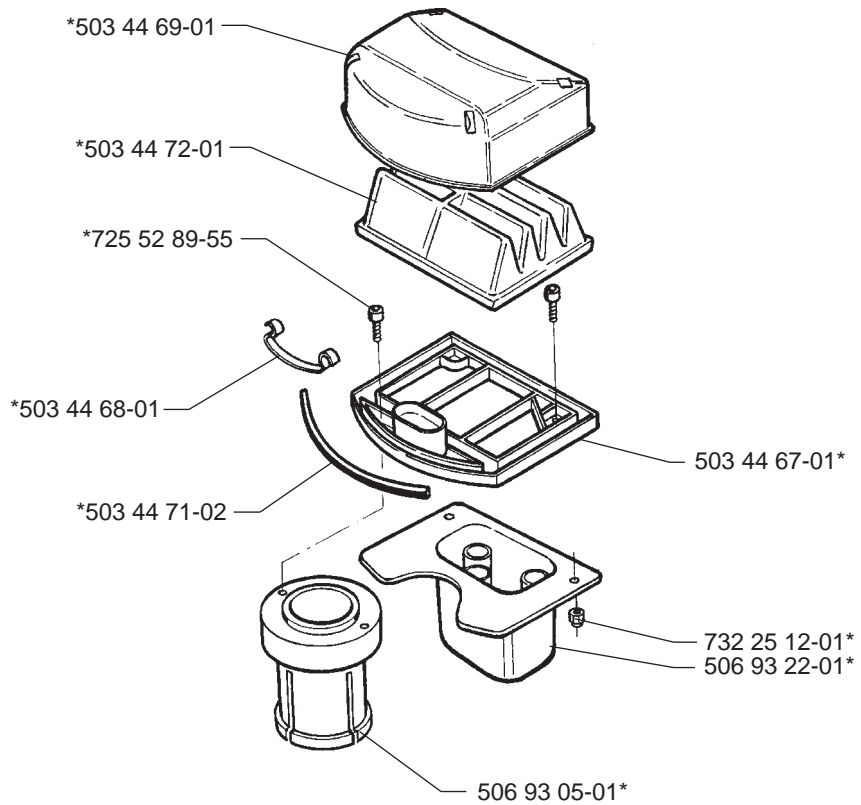


C



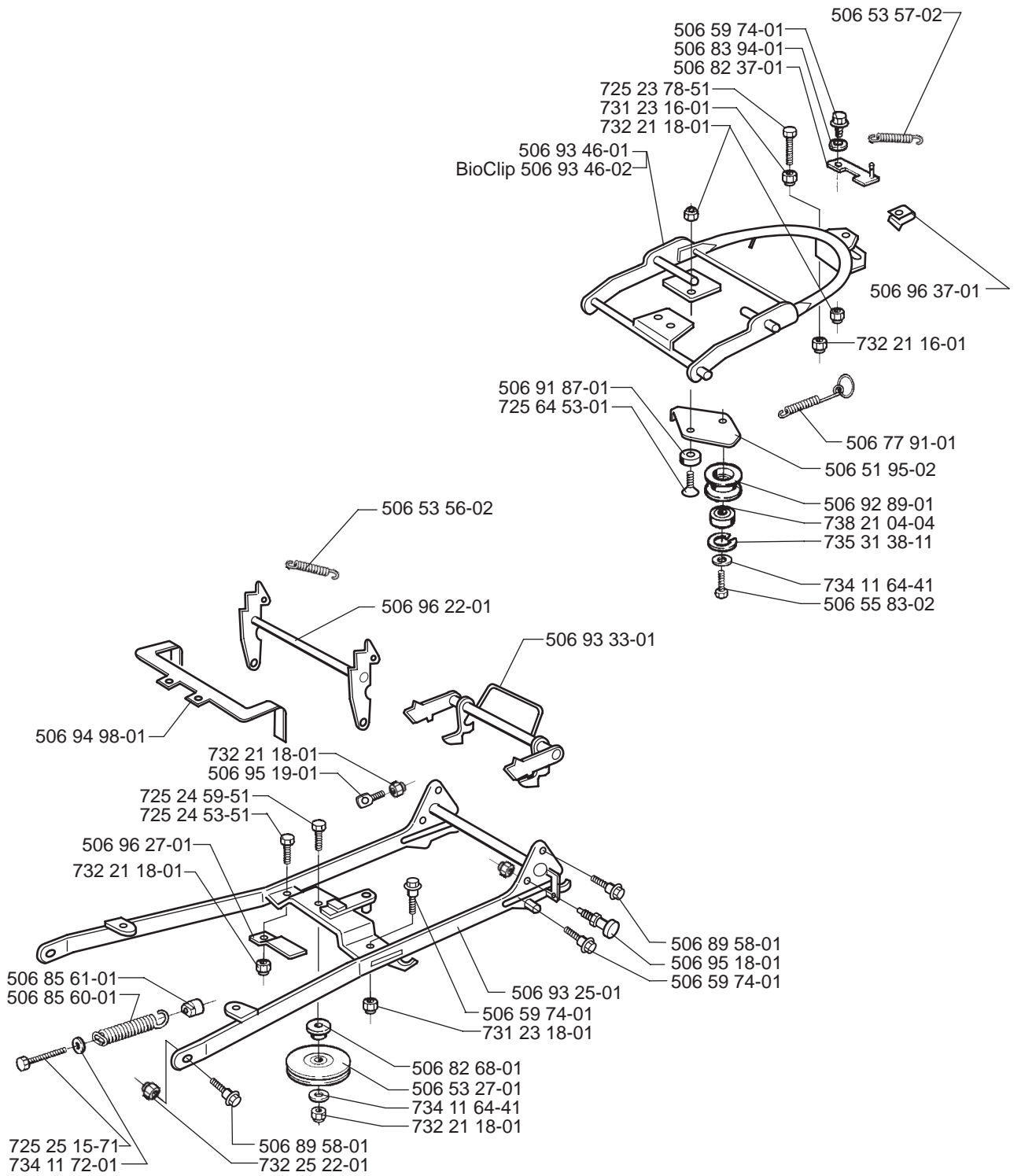
R

\*compl 506 93 24-01

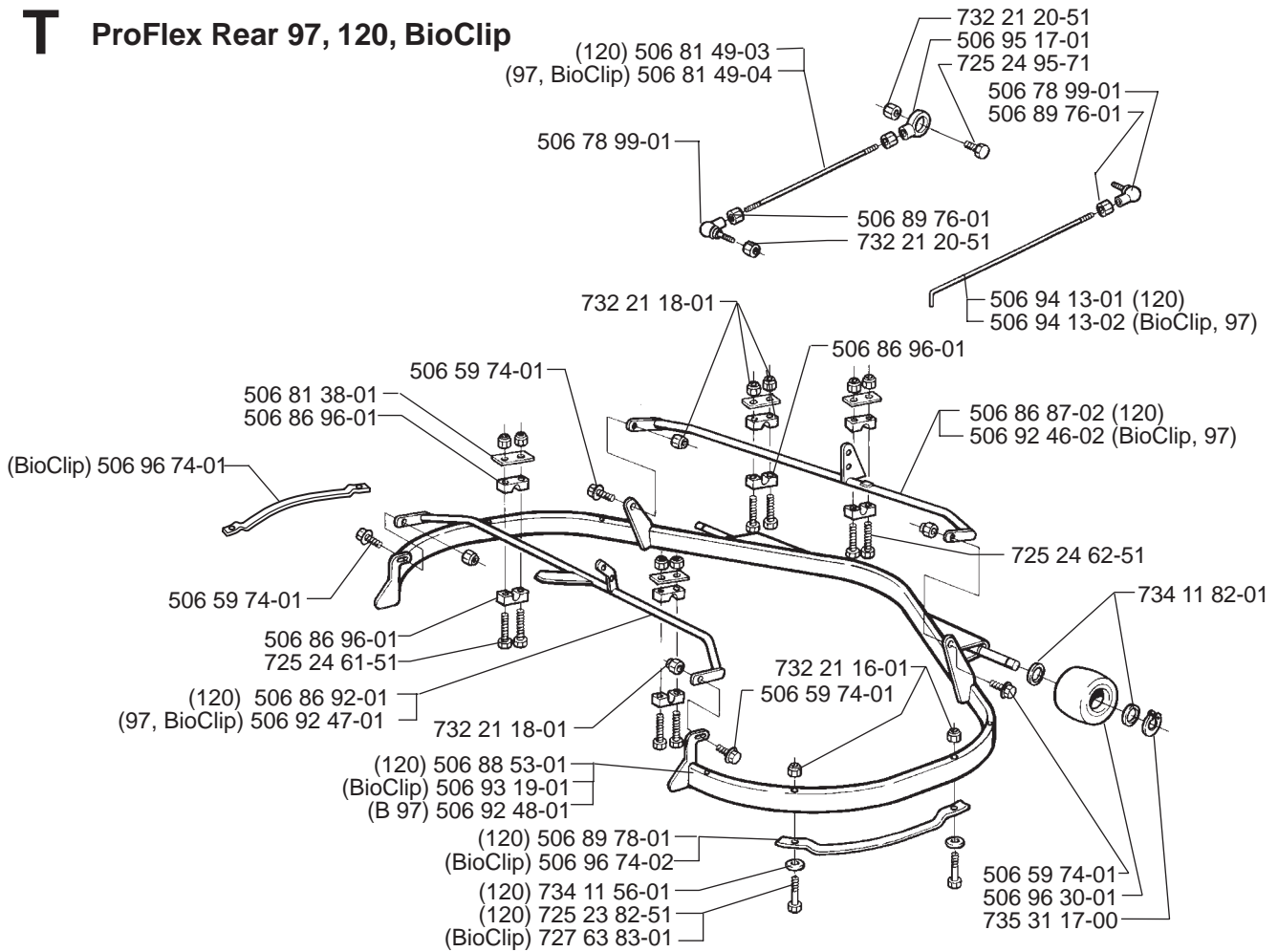


xxx xx xx-xx = New part

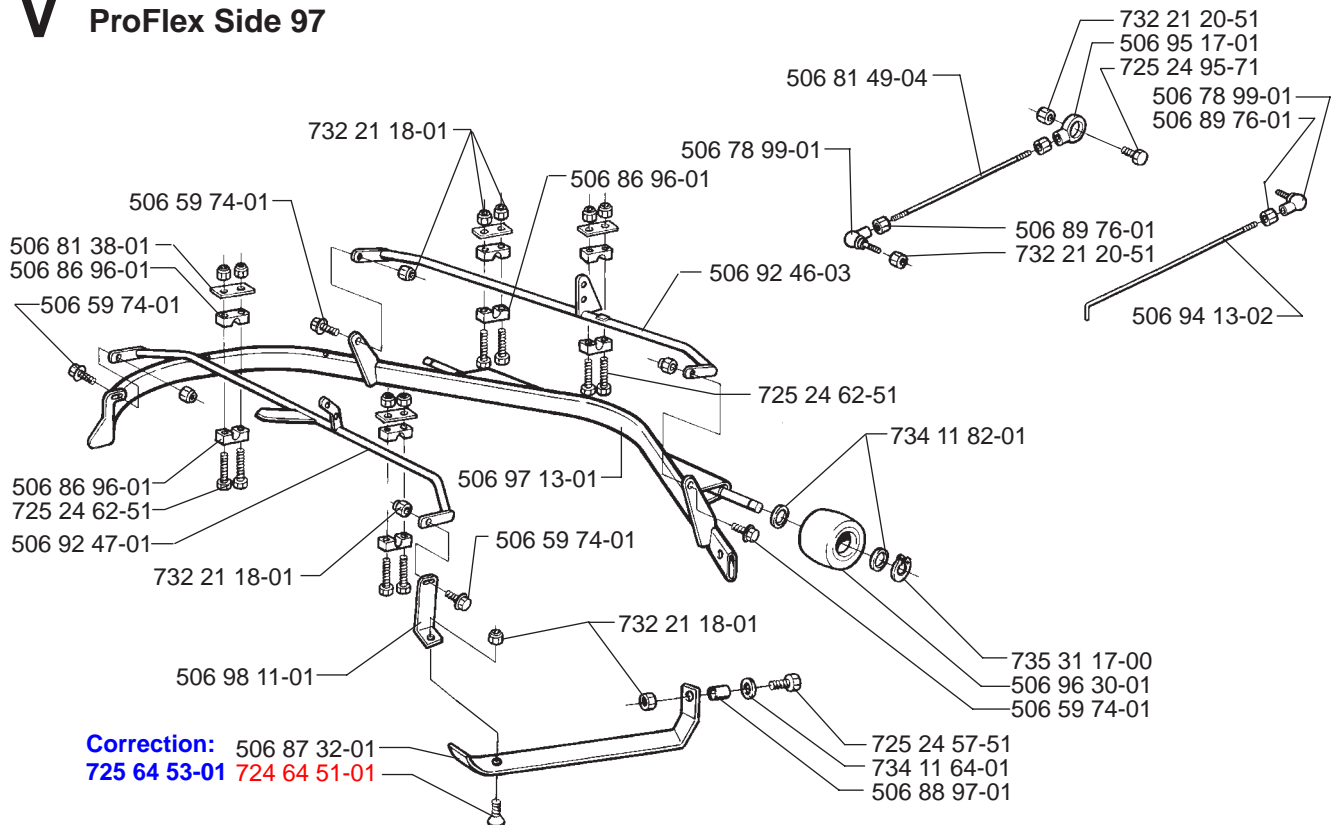
K



# T ProFlex Rear 97, 120, BioClip



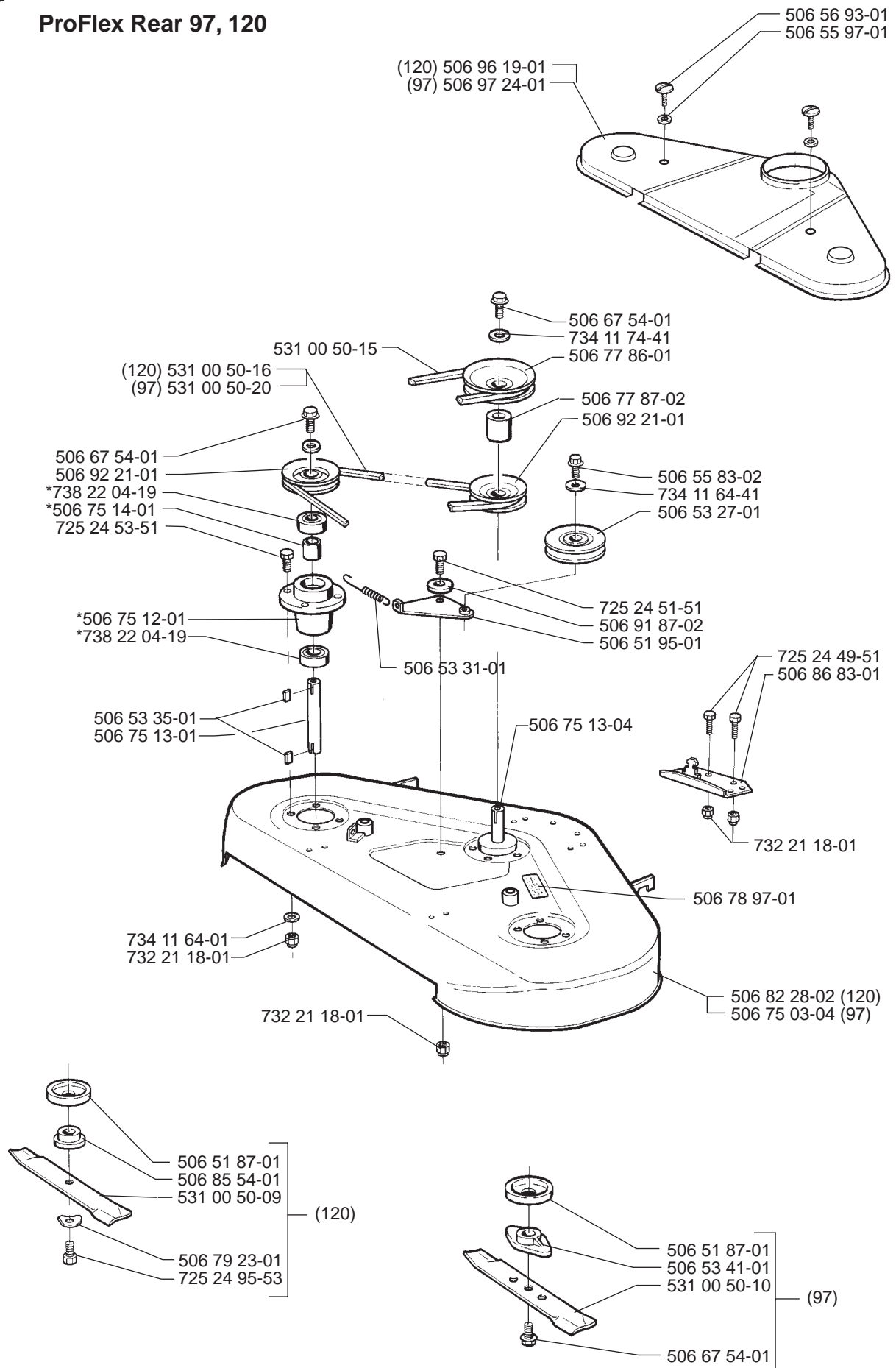
# V ProFlex Side 97



xxx xx xx-xx = New part

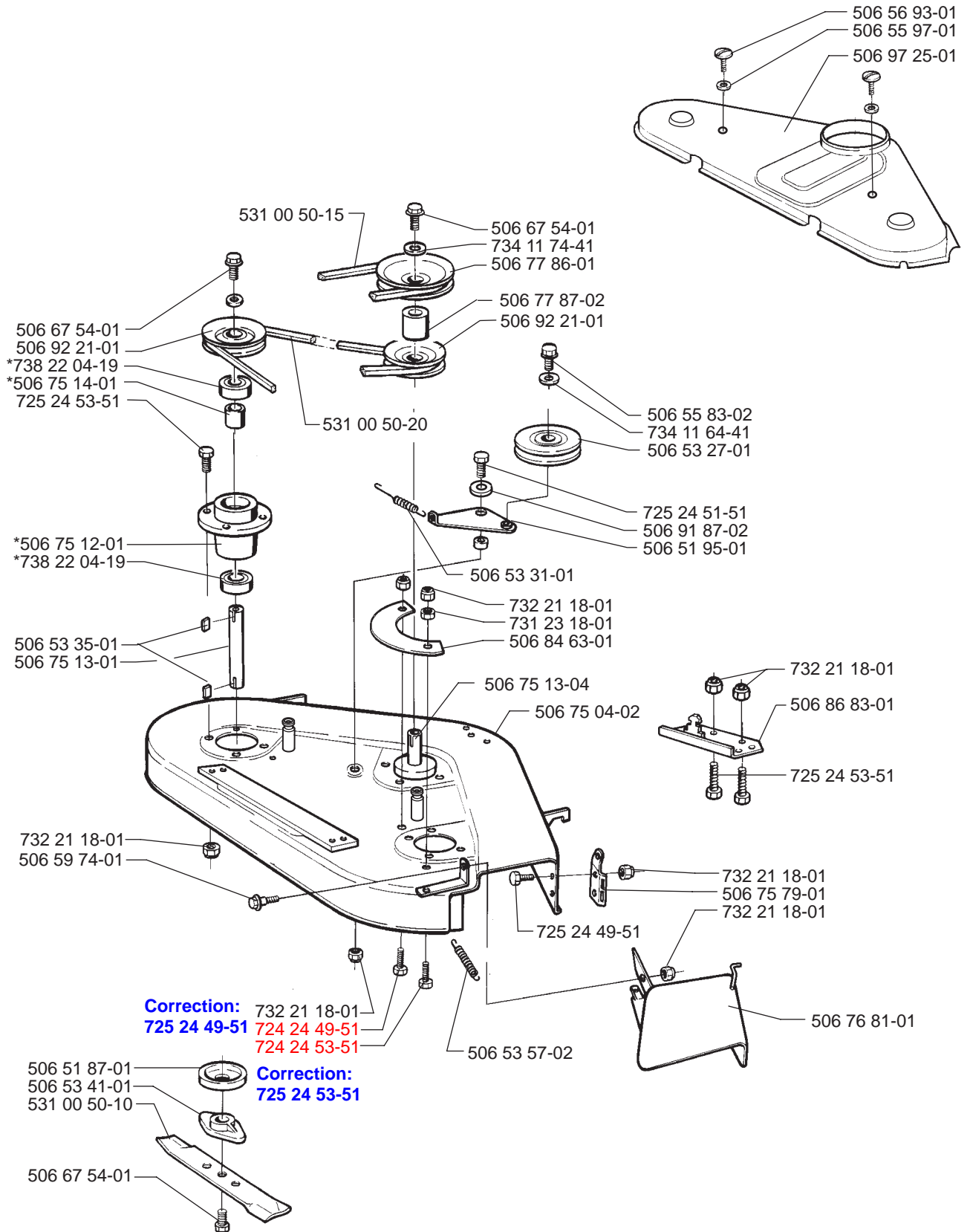
**J** \*compl 506 75 11-01 Yttre. Outer. Extérieur. Äusser. Ulko.  
 \*compl 506 75 11-04 Mitten. Centre. Centre. Zentrum. Keski.

**ProFlex Rear 97, 120**



**XXX XX XX-XX** = New part

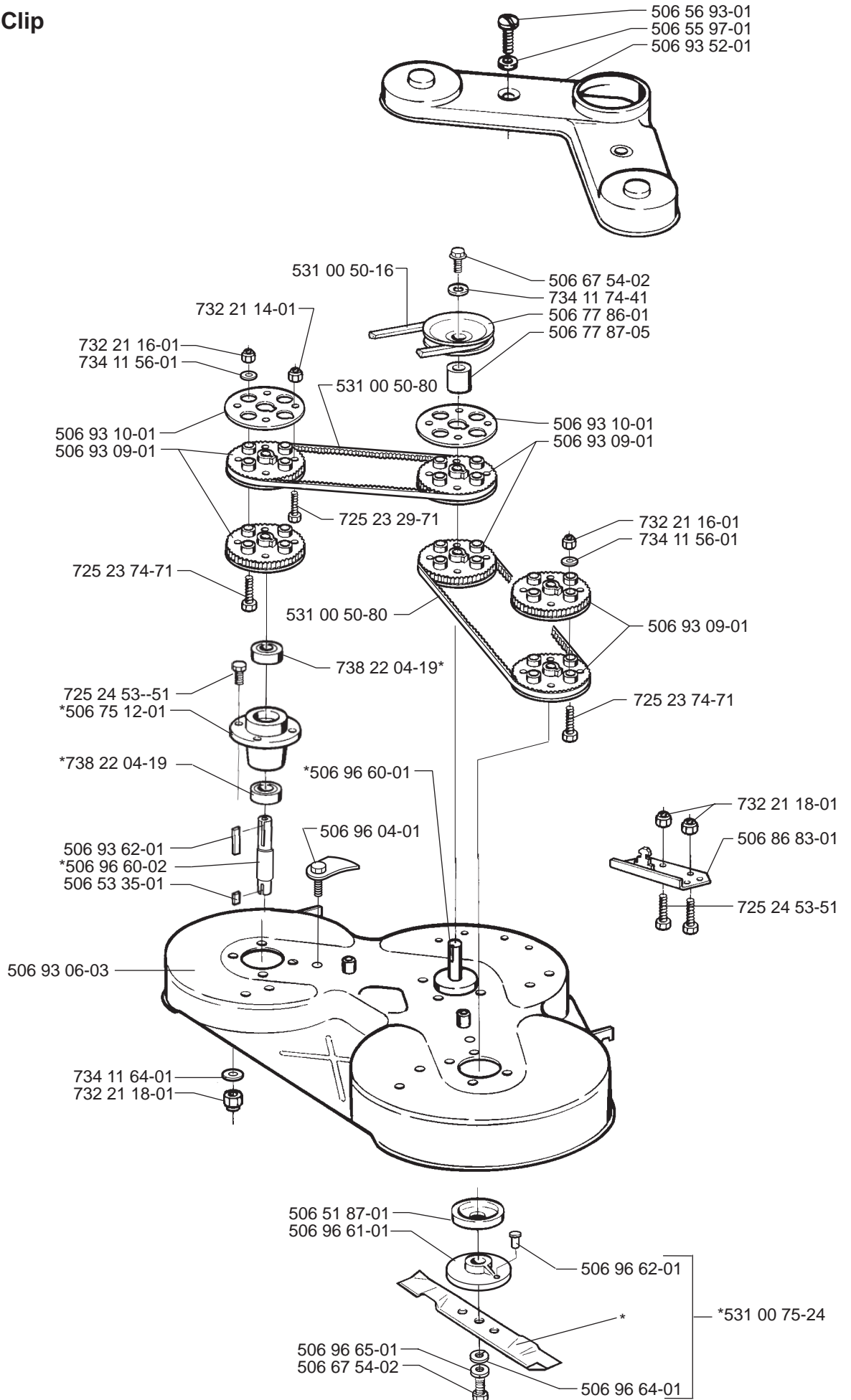
# U ProFlex Side 97



\*compl 506 75 11-01 Yttre. Outer. Exterieur. Äusser. Ulko.  
\*compl 506 75 11-04 Mitten. Centre. Centre. Zentrum. Keski.

**S**

\*compl 506 75 11-07 (a)  
 \*compl 506 75 11-06 (b)

**BioClip**

(a) = Yttre. Outer. Exterieur. Äusser. Ulko.  
 (b) = Mitten. Center. Centre. Zentrum. Keski.

xxx xx xx-xx = New part